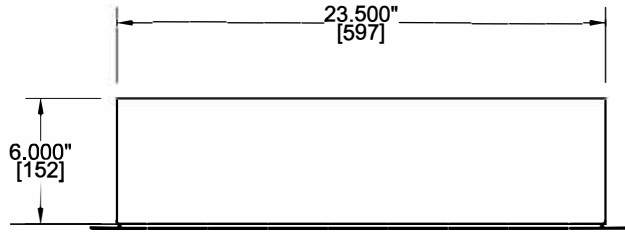


**NOTES:**

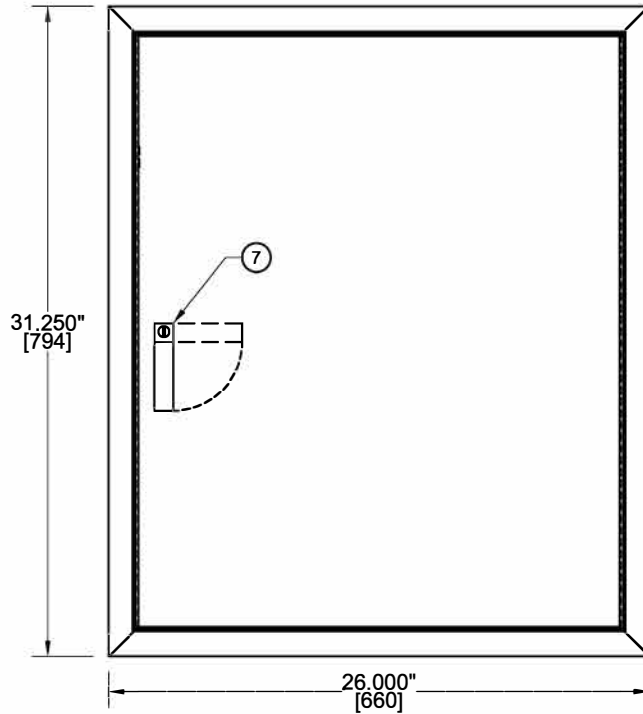
1. DOOR CAN BE LEFT OR RIGHT HANDED

612.272.2998 | billK@hospitalFS.com

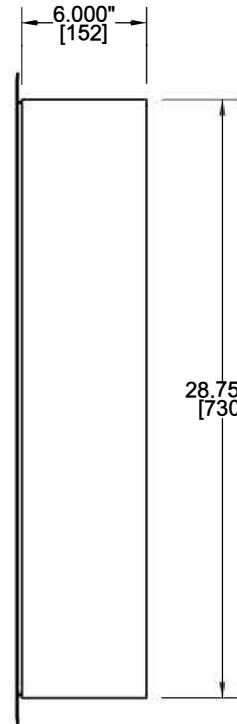
Part Number: HFS.ZVB.TS.OAV2NC



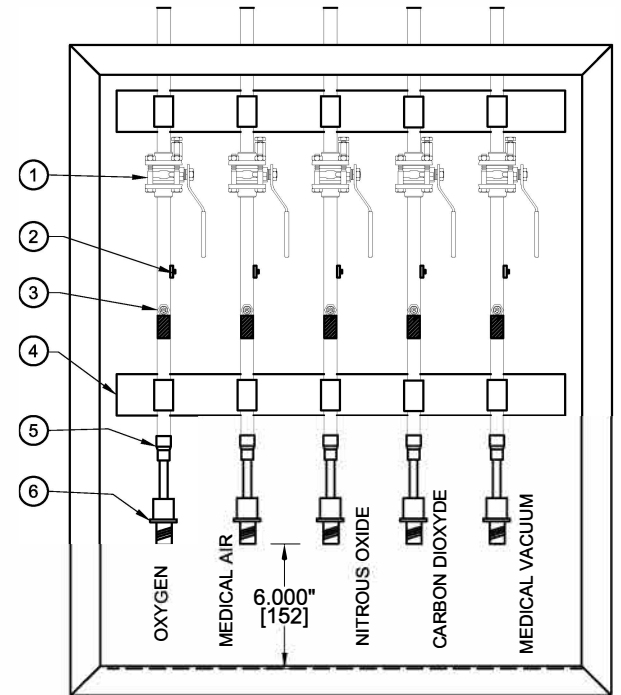
TOP



FRONT DOOR CLOSED



SIDE



FRONT DOOR OPENDED

**LEGEND**

1	5	BALL VALVE 1/2"
2	5	GAGE PORT CLOSED
3	5	90 DEG ELBOW 1/8 MNPT x 1/4 FNPT+ WITH DEMAND VALVE + GAGE PORT
4	2	STRUT CHANNEL WITH PIPE CLIP (10)
5	5	REDUCER 1/2" x 3/8"
6	5	RISER OF THE SPECIFIC GAS
7	1	LOCKABLE HANDLE TO OPEN DOOR
8	1	STAINLESS STEEL 304 BOX & DOOR. AJUSTABLE IN DEPTH

APPROBATION :  
 THESE PRODUCTS ARE MANUFACTURED TO CUSTOMER'S SPECIFICATIONS. I HEREBY APPROVE THE MATERIAL, DEVICES LOCATION, TYPES, MAKES, LAYOUT AND QUANTITIES, AS SHOWN ON THIS DRAWING.

APPROUVE PAR : \_\_\_\_\_ DATE: \_\_\_\_\_

MANUFACTURIER :



**This drawing is property of Hospital Facility Services LLC**

DESSINÉ PAR :

DATE : 2017/11/09

NOM PROJÉT :

VÉRIFIÉ PAR :

DATE : 2017/11/09

DATE : 2017/11/09

DATE	DESCRIPTION
-	A ORIGINAL DRAWING

MODEL : \_\_\_\_\_ QTE : 1 NO PROJÉT : Q14703

NO DESSIN : \_\_\_\_\_ RÉVISION FEUILLE

A 1/1